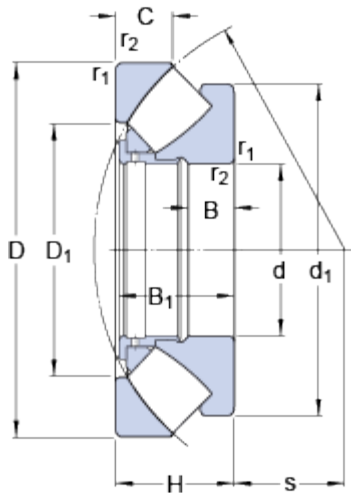


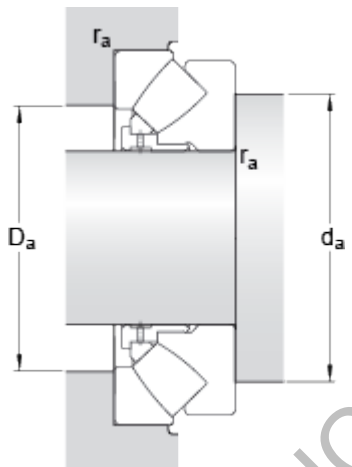
29256 E

Dimensions



d	280	mm
D	380	mm
H	60	mm
d_1	≈ 370	mm
D_1	≈ 323	mm
B	19	mm
B_1	57	mm
C	30.5	mm
s	150	mm
$r_{1,2}$	min. 2.1	mm

Abutment dimensions



d_a	min. 325	mm
D_a	max. 347	mm
r_a	max. 2	mm

Calculation data

Basic dynamic load rating	C	863	kN
Basic static load rating	C_0	4000	kN
Fatigue load limit	P_u	375	kN
Reference speed		1000	r/min
Limiting speed		1700	r/min
Minimum axial load factor	A	1.5	

Mass

Mass bearing		19.5	kg
--------------	--	------	----